



# EXTRA VIDEO CAMERA FOR ULTRASIGHT™ & BABYSECURE™

**Note:** The UltraSight and BabySecure Digital Video Monitors can accept up to four cameras. To order an additional camera (#29200), please contact our Consumer Relations department by phone at 1-800-268-6237 or online at: [summerinfant.com/contact](http://summerinfant.com/contact).



## ⚠️ WARNING:

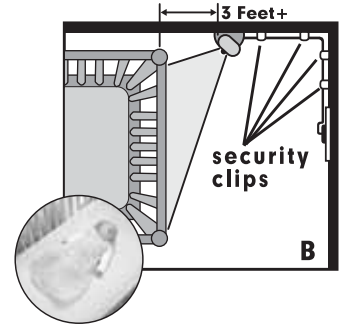
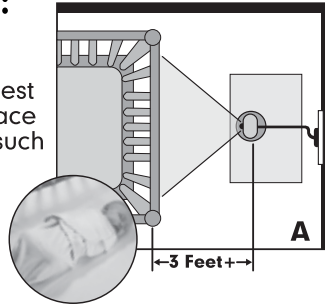
**STRANGULATION HAZARD** - Children have STRANGLED in cords. Keep this cord out of reach of children (more than 3 feet (0.9 m) away from the crib). Use enclosed Security Clips to help secure cord away from baby's reach. Never use extension cords with AC Adapters. Only use the AC Adapters provided.



## Camera Setup & Use:

### Table Top or Wall Mounting:

Determine a location for the CAMERA that will provide the best view of your baby in his crib. Place the CAMERA on a flat surface, such as a dresser, bureau, or shelf (Figure A). Or mount the CAMERA on a wall (Figure B).



NEVER place camera or cords within 3 feet of the crib. Secure the cord to the wall using the 6 Security Clips included to keep cord away from baby's reach. **Be sure to test reception and CAMERA positioning before mounting to a wall.**

## + Add Camera:

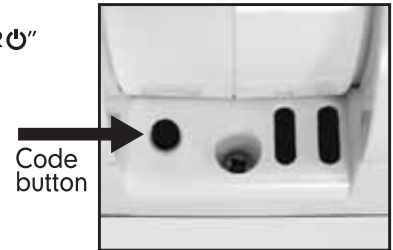
**Step 1:** Move the monitor to the same area as the camera and with both powered on, press the "MENU/POWER" button once.

**Step 2:** Press the right arrow to highlight the CAM MENU (CAM).

**Step 3:** Use the up arrow to highlight ADD CAM + menu. Press ZOOM/SELECT to enter ADD CAM menu.

**Step 4:** The next available camera (2, 3, 4) will automatically be highlighted. Press ZOOM/SELECT to begin syncing camera.

**Step 5:** Within 20-seconds, press the CODE button on the underside of the camera head and live video will appear. If this is unsuccessful, you should repeat steps above making sure the monitor and camera are close enough to each other for syncing.



## # View Camera:

**Note:** this option is only available when more than one camera is in use.

**Step 1:** To view a specific camera in use, press the "MENU/POWER" button once. Press the right arrow to highlight the CAM MENU (CAM).

**Step 2:** VIEW CAM # option will be highlighted, press ZOOM/SELECT to select the option.

**Step 3:** Once VIEW CAM # is selected, use the up and down arrows to select the Camera you want to view. Press ZOOM/SELECT to select that camera.

## - Delete Camera:

**Step 1:** Press the "MENU/POWER" button to enter the camera menu. Press the right arrow to highlight the CAM MENU (CAM).

**Step 2:** Use the up arrow to navigate to DEL CAM - option and press SELECT/ZOOM to enter "DEL CAM" menu.

**Step 3:** Using the up and down arrows to select the Camera you want to delete. Press SELECT/ZOOM to delete that camera.

## Auto Scan:

**Step 1:** To scan all cameras in use for 8-second intervals, press the "MENU/POWER" button once. Use the right arrow to highlight the CAM MENU (CAM).

**Step 2:** Use the up and down arrows to navigate to the SCAN CAM option and press SELECT/ZOOM to enter SCAN CAM option.

**Step 3:** The Monitor will automatically scan through all cameras in use every 8 seconds. To stop AUTO SCAN mode, press ZOOM/SELECT at any time.

## FCC Information

This device complies with part 15 of the FCC Rules. Operation is subject to the following two conditions: (1) This device may not cause harmful interference, and (2) this device must accept any interference received, including interference that may cause undesired operation.

**CAUTION:** Changes or modifications not expressly approved by Summer Infant may void the users authority to operate this equipment.

**NOTE:** This equipment has been tested and found to comply with the limits for a Class B digital device, pursuant to part 15 of the FCC Rules. These limits are designed to provide reasonable protection against harmful interference in a residential installation. This equipment generates, uses and can radiate radio frequency energy and, if not installed and used in accordance with the instructions, may cause harmful interference to radio communications. However, there is no guarantee that interference will not occur in a particular installation. If this equipment does cause harmful interference to radio or television reception, which can be determined by turning the equipment off and on, the user is encouraged to try to correct the interference by one or more of the following measures:

- Reorient or relocate the receiver
- Increase the separation between the equipment and the receiver
- Connect the equipment into an outlet on a circuit different from that to which the receiver is connected.
- Consult the dealer or an experienced radio/TV technician for help

**CAUTION:** 1. To comply with FCC RF exposure compliance requirements, a separation distance of at least 20 cm must be maintained between the antenna of this device and all persons. 2. This transmitter must not be co-located or operating in conjunction with any other antenna or transmitter.

## Summer Infant, Inc. Monitor Warranty Policy

Summer Infant, Inc. will repair or replace (at our option) your unit free of charge for 12 months from the date of purchase if the unit is defective in workmanship or materials. To claim your repair/replacement, the product must be returned to Summer Infant along with a copy of the original purchase receipt. In the absence of the purchase receipt, the warranty will be 12 months from the date of manufacture. This warranty does not apply to normal wear or damage from misuse, abuse, improper storage and handling, installation, accident, unauthorized repair or alteration. Please contact our Customer Service Department by phone at 1-800-268-6237 or via e-mail at [www.summerinfant.com/contact](http://www.summerinfant.com/contact) for details.



**Summer Infant, Inc.**  
1275 Park East Drive  
Woonsocket, RI 02895 USA  
1-800-268-6237

© 2014 Summer Infant, Inc.  
Please retain information for future reference.  
Colors and styles may vary.  
**MADE IN CHINA.** 4/14